



# Nyloplast | Tomorrow's Storm Drainage Structures Today.

## Order Form: Water Control Structure



ORDER # \_\_\_\_\_

JOB NAME \_\_\_\_\_

DATE \_\_\_\_\_

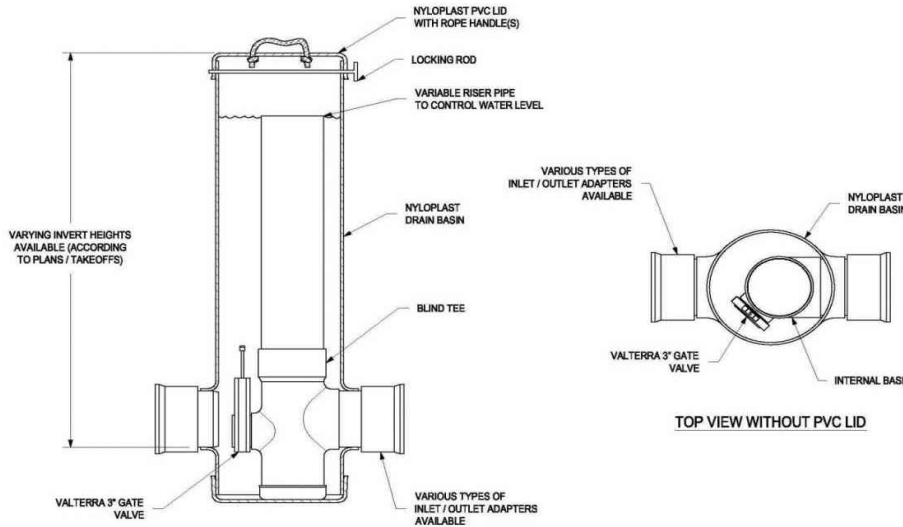
DRAWING # \_\_\_\_\_

CUSTOMER INITIAL \_\_\_\_\_

DRAIN BASIN SIZE \_\_\_\_\_

GRATE STYLE \_\_\_\_\_

Locking



### Accessories

Refer to "Price Book" or "Price List" for part numbers and details.

**A - OVERALL HEIGHT (INCHES)**

**STUB SIZE**

**B - INVERT**

**TYPE OF PIPE**

INLET \_\_\_\_\_

OUTLET \_\_\_\_\_

Structure Size		Part Number
Inlet/Outlet Pipe Size	Structure Pipe Diameter	
4"	12"	4912AG04
6"	12"	4912AG06
8"	15"	4915AG08
10"	18"	4918AG10
12"	24"	4924AG12
15"	30"	4930AG15
18"	30"	4930AG18

**Production Order Forms are based on interpretations of provided details. Customer is responsible for confirmation of information and final approval of order form.**

### PRODUCTION NOTES

Internal Use Only

Checked by Engineering

NOTE: Drawings need to be complete - This product is made to order and non-refundable.

**Nyloplast** 3130 Verona Avenue Buford, Georgia 30518 ph. (866) 888-8479 & (770) 932-2443